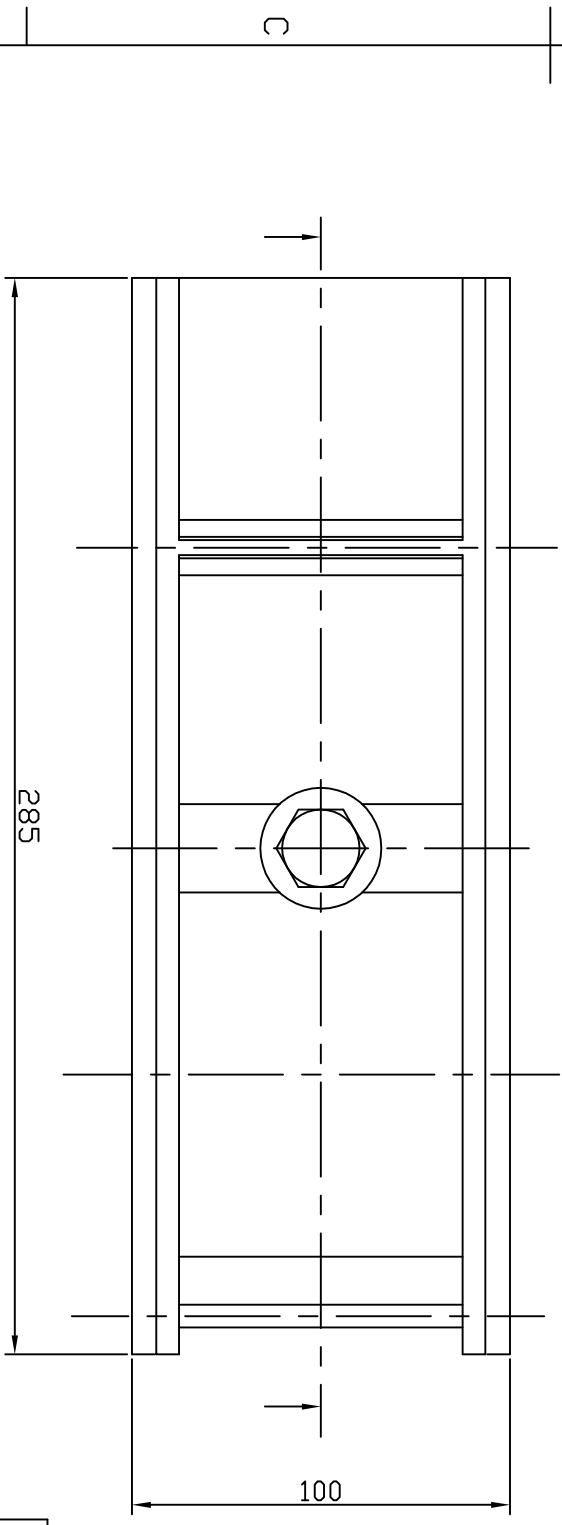
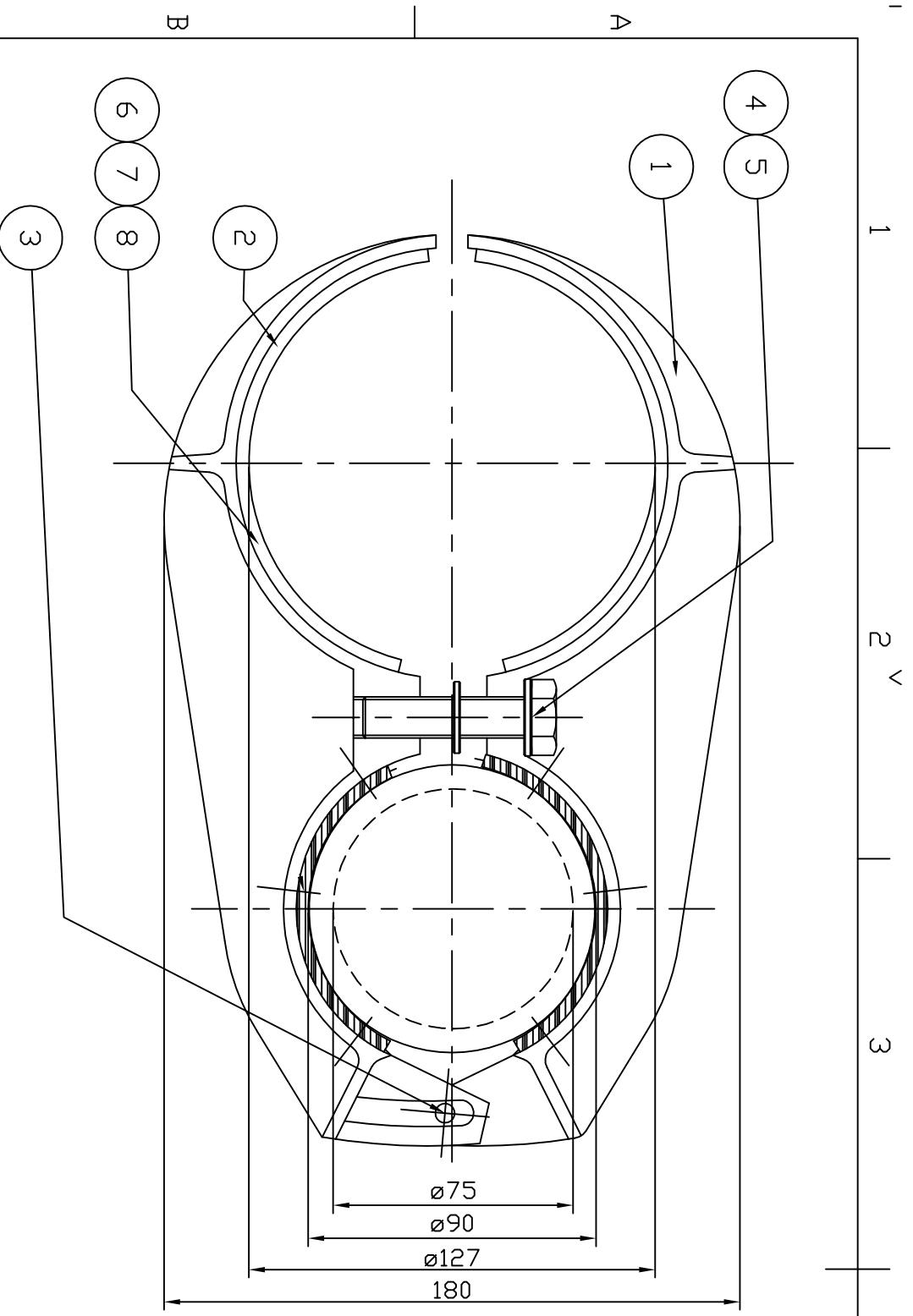


POS. ITEM	ANT. QTY.	NAVN, TYPE, DIMENSION NAME, TYPE, DIMENSION	MATERIALE/ARTIKKEL NR. MATERIAL/PART NO.	ANMERKING REMARK
1	1	Sperre art.no.	NS16570 - NiAlBr	
2	1	Sperre art.no.	NS16570 - NiAlBr	
3	1	Round bar $\phi 6 \times 87$	AISI316L, DIN 1013	
4	1	Bolt M16x80	A4, DIN 933	
5	2	Washer, $\phi 17 / \phi 30 \times 3$	A4, DIN 125	
6	10	Pop Rivet, VWG, F-4x16, rf/rf	A4	
7	2	Plate, 120x85x4	Nitril50, 45 shore	
8	-	Contact glue		



ELECTRONIC ORIGINAL. User is responsible for verification of correct revision status on document copy. TOLERANCING ISO 8015			
REL./CHANGE NO.	DESIGNER	SO Lien	
UNLESS OTHERWISE SPECIFIED	DIM. TOL.	ROUGHNESS	FILLET RAD.
		Ra μm :	
This drawing is the property of POLAR CLAMPS AS and shall neither be copied nor presented to non authorized persons without the written consent of POLAR CLAMPS AS		SCALE	1:2
Clamp-75/90-127		SIZE	A3
		BROKEN EDGES (R ALI. 45°) 0,1 - 0,5	THREAD TOLERANCE: 6g/6h(ISO 1874 - ISO R965/1)
DRAWING NO. 070829_1		LAST SAVED (DATE/TIME)	NO. OF REV.
WEIGHT:		SHEET 1 OF 1	

